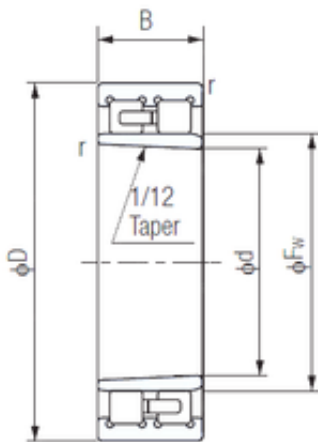




San Driveshaft Co., Ltd.

240 mm x 320 mm x 80 mm NACHI NNU4948K Axial angular contact ball bearings

Bearing No. NNU4948K



NNU4948K Bearing 2D drawings and 3D CAD models

Size	240x320x80 mm
Bore Diameter	240 mm
Outer Diameter	320 mm
Width	80 mm
d	240 mm
Fw	265 mm
D	320 mm
B	80 mm
C	80 mm
r min.	2,1 mm
Weight	17 Kg
Basic dynamic load rating (C)	625 kN
Basic static load rating (C0)	1450 kN
(Grease) Lubrication Speed	2700 r/min