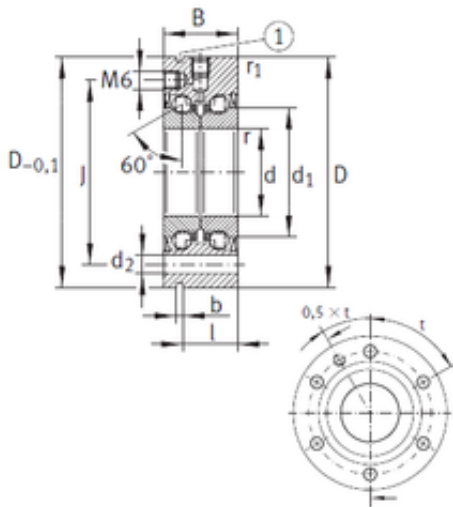




San Driveshaft Co., Ltd.



30 mm x 80 mm x 28 mm INA ZKLF3080-2RS Axial angular contact ball bearings

Bearing No. ZKLF3080-2RS

ZKLF3080-2RS Bearing 2D drawings and 3D CAD models

Size	30x80x28 mm
Bore Diameter	30 mm
Outer Diameter	80 mm
Width	28 mm
d	30 mm
D	80 mm
B	28 mm
C	28 mm
Screw	6
l	19 mm
Angle (?)	60 °
b	3 mm
d1	45,5 mm
d2	6,8 mm
r min.	0,3 mm
r1 min.	0,6 mm
J	63 mm
Bolt (G)	M6
Weight	0,78 Kg
Basic dynamic load rating (C)	29 kN
Basic static load rating (C0)	64 kN
Category	Angular Contact Ball Bearings
Inventory	0.0
Manufacturer Name	SCHAEFFLER GROUP



San Driveshaft Co., Ltd.

Minimum Buy Quantity	N/A
Weight / Kilogram	0.935
EAN	4012802078732
Product Group	L00220
Enclosure	2 Seals
Flush Ground	No
Rolling Element	Ball Bearing
Number of Rows of Balls	Double Row
Precision Class	ABEC 1 ISO P0
Maximum Capacity / Filling Slot	No
Snap Ring	Yes
Cage Material	Plastic
Contact Angle	60 Degree
Internal Clearance	C0-Medium
Number of Bearings	1 (Single)
Inch - Metric	Metric
Long Description	30MM Bore; 80MM Outside Diameter; 28MM Width; 2 Seals; No Flush Ground; Ball Bearing; Double Row of Balls; ABEC 1 ISO P0; No Filling Slot; Yes Snap Ring; C0-Medium; Plastic Cage; 60 Degree; 1 (Singl
Other Features	With Fixing Holes With Snap Ring Groove
Category	Angular Contact Ball Bearing
UNSPSC	31171531
Harmonized Tariff Code	8482.10.50.28
Noun	Bearing
Keyword String	Angular Contact
Manufacturer URL	http://www.ina.com
Manufacturer Item Number	ZKLF3080-2RS



San Driveshaft Co., Ltd.

Weight / LBS	2.0592
Bore	1.181 Inch 30 Millimeter
Width	1.102 Inch 28 Millimeter
Outside Diameter	3.15 Inch 80 Millimeter