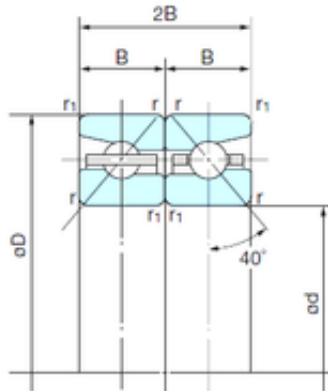




San Driveshaft Co., Ltd.

80 mm x 125 mm x 20,25 mm NACHI
80TBH10DB Angular contact ball bearings for
motors and lathes



Bearing No. 80TBH10DB

Size	80x125x20.25 mm
Bore Diameter	80 mm
Outer Diameter	125 mm
Width	20,25 mm
d	80 mm
D	125 mm
B	20,25 mm
Angle (°)	40 °
r min.	1.1 mm
r1 min.	0.6 mm
2B	40,5 mm
Basic dynamic load rating (C)	49 kN
Basic static load rating (C0)	130 kN
(Grease) Lubrication Speed	4900 r/min

80TBH10DB Bearing 2D drawings and 3D CAD models