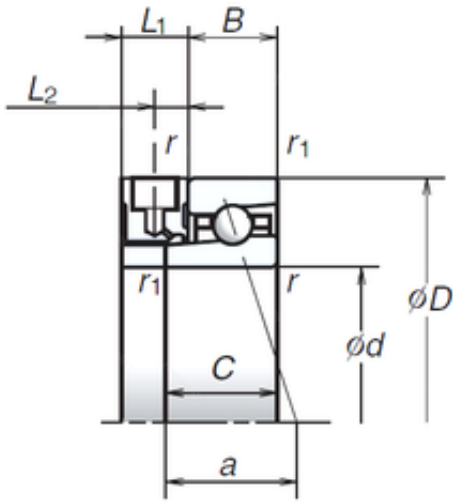




San Driveshaft Co., Ltd.



50 mm x 72 mm x 12 mm NSK 50BER19XE
aerospace applications Precision Bearings

Bearing No. 50BER19XE

Size	50x72x12 mm
Bore Diameter	50 mm
Outer Diameter	72 mm
Width	12 mm
d	50 mm
D	72 mm
B	12 mm
C	17 mm
L2	7,5 mm
Angle (°)	25 °
a	25,2 mm
r min.	0,6 mm
r1 min.	0,3 mm
L1	15 mm
Weight	0,129 Kg
Basic dynamic load rating (C)	12,3 kN
Basic static load rating (C0)	9,35 kN
(Grease) Lubrication Speed	49 200 r/min

50BER19XE Bearing 2D drawings and 3D CAD models