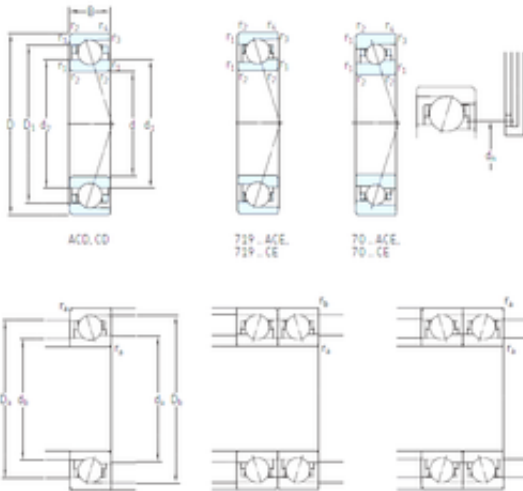




San Driveshaft Co., Ltd.



10 mm x 30 mm x 9 mm SKF 7200 CD/HCP4A Pressed Steel Cages Single-Row Angular Contact Ball Bearings

Bearing No. 7200 CD/HCP4A

Size	10x30x9 mm
Bore Diameter	10 mm
Outer Diameter	30 mm
Width	9 mm
d	10 mm
D	30 mm
B	9 mm
C	9 mm
d1	17,3 mm
d2	17,3 mm
r1 min.	0,6 mm
r2 min.	0,6 mm
r3 min.	0,3 mm
r4 min.	0,3 mm
D1	23,1 mm
D2	24,3 mm
da min.	14,2 mm
Da max.	25,8 mm
db min	14,2 mm
ra max.	0,6 mm
rb max.	0,3 mm
dh	18,3 mm
Db max	27,6 mm
Weight	0,029 Kg
Basic dynamic load rating	4,49 kN

7200 CD/HCP4A Bearing 2D drawings and 3D CAD models



San Driveshaft Co., Ltd.

(C)	
Basic static load rating (C ₀)	1,93 kN
(Grease) Lubrication Speed	70 000 r/min
(Oil) Lubrication Speed	100 000 r/min
Fatigue load limit (P _u)	0,08
d ₁	17.3 mm
d ₂	17.3 mm
D ₁	23.1 mm
r _{1,2} min.	0.6 mm
r _{3,4} min.	0.3 mm
a	7.3 mm
d _a min.	14.2 mm
d _b min.	14.2 mm
D _a max.	25.8 mm
D _b max.	27.6 mm
r _a max.	0.6 mm
r _b max.	0.3 mm
d _n	18.3 mm
Basic dynamic load rating C	4.49 kN
Basic static load rating C ₀	1.93 kN
Fatigue load limit P _u	0.08 kN
Attainable speed for grease lubrication	70000 r/min
Attainable speed for oil-air lubrication	100000 r/min
Ball diameter D _w	4.762 mm
Number of balls z	10
Reference grease quantity G _{ref}	0.357 cm ³
Preload class A G _A	17 N
Static axial stiffness, preload class A	16 N/ μ m
Preload class B G _B	34 N



San Driveshaft Co., Ltd.

Static axial stiffness, preload class B	21 N/ μ m
Preload class C G_C	68 N
Static axial stiffness, preload class C	29 N/ μ m
Preload class D G_D	136 N
Static axial stiffness, preload class D	41 N/ μ m
Calculation factor f	1.02
Calculation factor f_1	1
Calculation factor f_{2A}	1
Calculation factor f_{2B}	1.01
Calculation factor f_{2C}	1.03
Calculation factor f_{2D}	1.06
Calculation factor f_{HC}	1.01
Calculation factor f_0	8.8
Mass bearing	0.029 kg