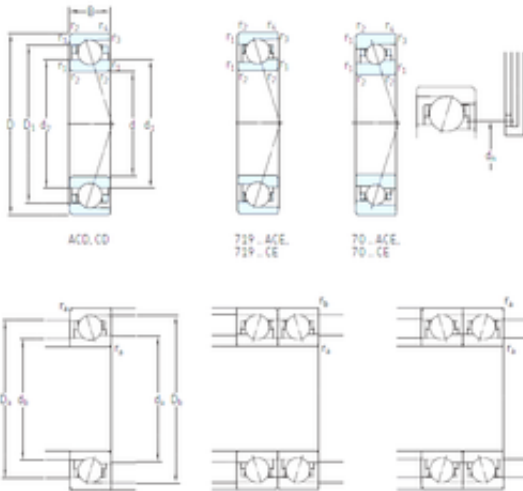




San Driveshaft Co., Ltd.



10 mm x 26 mm x 8 mm SKF 7000 CD/HCP4A
Interchangeable with open TAC serie Precision
Bearings

Bearing No. 7000 CD/HCP4A

7000 CD/HCP4A Bearing 2D drawings and 3D CAD
models

| | |
|---------------------------|------------|
| Size | 10x26x8 mm |
| Bore Diameter | 10 mm |
| Outer Diameter | 26 mm |
| Width | 8 mm |
| d | 10 mm |
| D | 26 mm |
| B | 8 mm |
| C | 8 mm |
| d1 | 15,1 mm |
| d2 | 15,1 mm |
| r1 min. | 0,3 mm |
| r2 min. | 0,3 mm |
| r3 min. | 0,2 mm |
| r4 min. | 0,2 mm |
| D1 | 20,9 mm |
| D2 | 23,5 mm |
| da min. | 12 mm |
| Da max. | 24 mm |
| db min | 12 mm |
| ra max. | 0,3 mm |
| rb max. | 0,2 mm |
| dh | 16 mm |
| Db max | 24,6 mm |
| Weight | 0,017 Kg |
| Basic dynamic load rating | 4,1 kN |



San Driveshaft Co., Ltd.

| | |
|--|---------------|
| (C) | |
| Basic static load rating (C ₀) | 1,66 kN |
| (Grease) Lubrication Speed | 90 000 r/min |
| (Oil) Lubrication Speed | 140 000 r/min |
| Fatigue load limit (P _u) | 0,071 |
| Category | Bearings |
| Inventory | 0.0 |
| Manufacturer Name | SKF |
| Minimum Buy Quantity | N/A |
| Weight / Kilogram | 0 |
| Product Group | B04270 |
| d ₁ | 15.1 mm |
| d ₂ | 15.1 mm |
| D ₁ | 20.9 mm |
| r _{1,2} min. | 0.3 mm |
| r _{3,4} min. | 0.2 mm |
| a | 6.5 mm |
| d _a min. | 12 mm |
| d _b min. | 12 mm |
| D _a max. | 24 mm |
| D _b max. | 24.6 mm |
| r _a max. | 0.3 mm |
| r _b max. | 0.2 mm |
| d _n | 16 mm |
| Basic dynamic load rating C | 4.1 kN |
| Basic static load rating C ₀ | 1.66 kN |
| Fatigue load limit P _u | 0.071 kN |
| Attainable speed for grease lubrication | 90000 r/min |
| Attainable speed for oil-air lubrication | 140000 r/min |
| Ball diameter D _w | 4.762 mm |
| Number of balls z | 9 |



San Driveshaft Co., Ltd.

| | |
|---|----------------------|
| Reference grease quantity G_{ref} | 0.24 cm ³ |
| Preload class A G_A | 15 N |
| Static axial stiffness, preload class A | 14 N/μm |
| Preload class B G_B | 30 N |
| Static axial stiffness, preload class B | 19 N/μm |
| Preload class C G_C | 60 N |
| Static axial stiffness, preload class C | 26 N/μm |
| Preload class D G_D | 120 N |
| Static axial stiffness, preload class D | 36 N/μm |
| Calculation factor f | 1.03 |
| Calculation factor f_1 | 1 |
| Calculation factor f_{2A} | 1 |
| Calculation factor f_{2B} | 1.02 |
| Calculation factor f_{2C} | 1.05 |
| Calculation factor f_{2D} | 1.09 |
| Calculation factor f_{HC} | 1.02 |
| Calculation factor f_0 | 8.3 |
| Mass bearing | 0.017 kg |