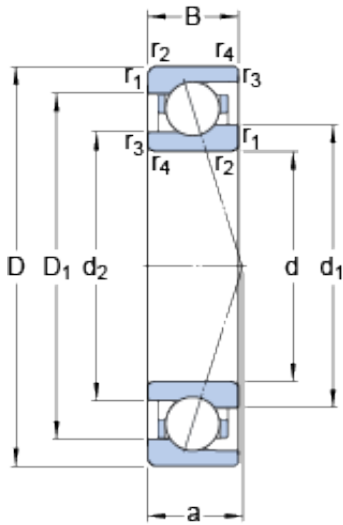




## San Driveshaft Co., Ltd.



71918 ACE/P4A Bearing 2D drawings and 3D CAD models

90 mm x 125 mm x 18 mm SKF 71918  
ACE/P4A Interchangeable with open TAC serie  
Precision Bearings

Bearing No. 71918 ACE/P4A

Size	125x90x18 mm
Bore Diameter	125 mm
Outer Diameter	90 mm
Width	18 mm
d	90 mm
D	125 mm
B	18 mm
d <sub>1</sub>	101 mm
d <sub>2</sub>	97.9 mm
D <sub>1</sub>	114.22 mm
r <sub>1,2</sub> - min.	1.1 mm
r <sub>3,4</sub> - min.	0.6 mm
a	35.9 mm
d <sub>a</sub> - min.	96 mm
d <sub>b</sub> - min.	93.2 mm
D <sub>a</sub> - max.	119 mm
D <sub>b</sub> - max.	121.8 mm
r <sub>a</sub> - max.	1 mm
r <sub>b</sub> - max.	0.6 mm
d <sub>n</sub>	103.5 mm
Basic dynamic load rating - C	28.6 kN
Basic static load rating - C <sub>0</sub>	23.2 kN
Fatigue load limit - P <sub>u</sub>	0.915 kN



## San Driveshaft Co., Ltd.

Limiting speed for grease lubrication	13000 r/min
Limiting speed for oil lubrication	20000 mm/min
Ball - $D_w$	11.112 mm
Ball - $z$	24
$G_{ref}$	7 cm <sup>3</sup>
Calculation factor - $e$	0.68
Calculation factor - $Y_2$	0.87
Calculation factor - $Y_0$	0.38
Calculation factor - $X_2$	0.41
Calculation factor - $Y_1$	0.92
Calculation factor - $Y_2$	1.41
Calculation factor - $Y_0$	0.76
Calculation factor - $X_2$	0.67
Preload class A - $G_A$	260 N
Preload class B - $G_B$	780 N
Preload class C - $G_C$	1560 N
Calculation factor - $f$	1.19
Calculation factor - $f_1$	0.99
Calculation factor - $f_{2A}$	1
Calculation factor - $f_{2B}$	1.04
Calculation factor - $f_{2C}$	1.07
Calculation factor - $f_{HC}$	1
Preload class A	164 N/micron
Preload class B	247 N/micron
Preload class C	324 N/micron
$d_1$	101 mm
$d_2$	97.9 mm
$D_1$	114.22 mm



## San Driveshaft Co., Ltd.

$r_{1,2}$ min.	1.1 mm
$r_{3,4}$ min.	0.6 mm
$d_a$ min.	96 mm
$d_b$ min.	93.2 mm
$D_a$ max.	119 mm
$D_b$ max.	121.8 mm
$r_a$ max.	1 mm
$r_b$ max.	0.6 mm
$d_n$	103.5 mm
Basic dynamic load rating C	28.6 kN
Basic static load rating $C_0$	23.2 kN
Fatigue load limit $P_u$	0.915 kN
Attainable speed for grease lubrication	13000 r/min
Attainable speed for oil-air lubrication	20000 r/min
Ball diameter $D_w$	11.112 mm
Number of balls z	24
Reference grease quantity $G_{ref}$	7 cm <sup>3</sup>
Preload class A $G_A$	260 N
Static axial stiffness, preload class A	164 N/ $\mu$ m
Preload class B $G_B$	780 N
Static axial stiffness, preload class B	247 N/ $\mu$ m
Preload class C $G_C$	1560 N
Static axial stiffness, preload class C	324 N/ $\mu$ m
Calculation factor f	1.19
Calculation factor $f_1$	0.99
Calculation factor $f_{2A}$	1
Calculation factor $f_{2B}$	1.04
Calculation factor $f_{2C}$	1.07



## San Driveshaft Co., Ltd.

Calculation factor $f_{HC}$	1
Calculation factor $e$	0.68
Calculation factor (single, tandem) $Y_2$	0.87
Calculation factor (single, tandem) $Y_0$	0.38
Calculation factor (single, tandem) $X_2$	0.41
Calculation factor (back-to-back, face-to-face) $Y_1$	0.92
Calculation factor (back-to-back, face-to-face) $Y_2$	1.41
Calculation factor (back-to-back, face-to-face) $Y_0$	0.76
Calculation factor (back-to-back, face-to-face) $X_2$	0.67
Mass bearing	0.54 kg