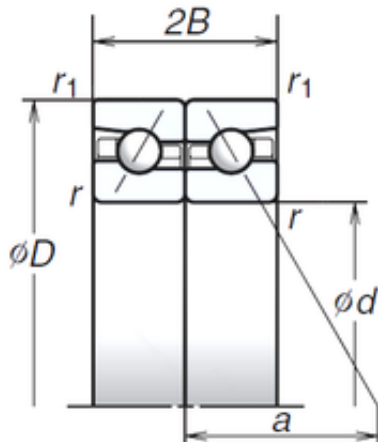




## San Driveshaft Co., Ltd.

### 190 mm x 290 mm x 45 mm NSK 190BTR10S Double Row Cylindrical Roller Bearings

Bearing No. 190BTR10S



190BTR10S Bearing 2D drawings and 3D CAD models

Size	190x290x45 mm
Bore Diameter	190 mm
Outer Diameter	290 mm
Width	45 mm
d	190 mm
D	290 mm
B	45 mm
C	45 mm
Angle ( ° )	40 °
a	123,2 mm
r min.	2,1 mm
r1 min.	1,1 mm
2B	90 mm
Weight	10,7 Kg
Basic dynamic load rating (C)	179 kN
Basic static load rating (C0)	445 kN
(Grease) Lubrication Speed	2 800 r/min
(Oil) Lubrication Speed	3 600 r/min