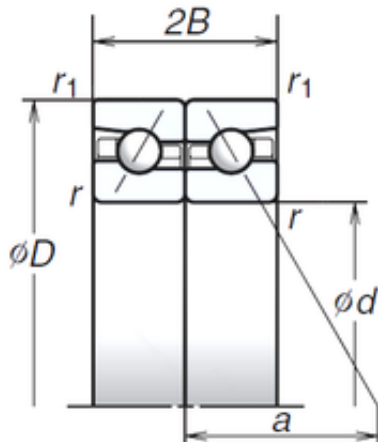




San Driveshaft Co., Ltd.

110 mm x 170 mm x 27 mm NSK 110BTR10H High Accuracy Precision Bearings

Bearing No. 110BTR10H



110BTR10H Bearing 2D drawings and 3D CAD models

Size	110x170x27 mm
Bore Diameter	110 mm
Outer Diameter	170 mm
Width	27 mm
d	110 mm
D	170 mm
B	27 mm
C	27 mm
Angle (°)	40 °
a	72,2 mm
r min.	2 mm
r1 min.	1 mm
2B	54 mm
Weight	1,972 Kg
Basic dynamic load rating (C)	66 kN
Basic static load rating (C0)	148 kN
(Grease) Lubrication Speed	5 400 r/min
(Oil) Lubrication Speed	6 800 r/min