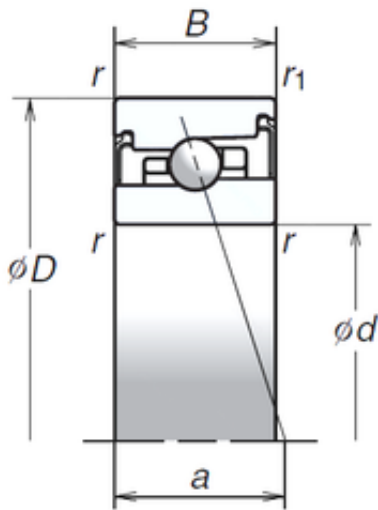




San Driveshaft Co., Ltd.



70 mm x 110 mm x 24 mm NSK 70BER20HV1V High Accuracy Precision Bearings

Bearing No. 70BER20HV1V

Size	70x110x24 mm
Bore Diameter	70 mm
Outer Diameter	110 mm
Width	24 mm
d	70 mm
D	110 mm
B	24 mm
C	24 mm
Angle (°)	25 °
a	33 mm
r min.	1,1 mm
r1 min.	0,6 mm
Weight	0,724 Kg
Basic dynamic load rating (C)	21,3 kN
Basic static load rating (C0)	18,9 kN
(Grease) Lubrication Speed	17 800 r/min

70BER20HV1V Bearing 2D drawings and 3D CAD models